

---

# Operating instructions



## TARAtec sensors

### WP7

---

## Table of contents

<b>1</b>	<b>Information about these operating instructions .....</b>	<b>4</b>
1.1	Symbols and displays.....	4
1.2	Associated documents .....	5
<b>2</b>	<b>Information on this product.....</b>	<b>6</b>
2.1	Product description.....	6
2.2	Scope of supply .....	7
2.3	Product overview .....	8
2.4	Name plate .....	9
<b>3</b>	<b>Safety .....</b>	<b>10</b>
3.1	Use for the intended purpose.....	10
3.2	Use other than for the intended purpose.....	10
3.3	Personal qualifications .....	11
3.4	Rebuilding and modifications .....	11
3.5	Residual risks .....	11
<b>4</b>	<b>Commissioning.....</b>	<b>15</b>
4.1	Installation requirements .....	15
4.2	Preparation of the sensors .....	15
4.3	Insertion into the flow chamber .....	18
4.4	Electrical connection .....	19
4.5	Initial calibration.....	21
<b>5</b>	<b>Calibration .....</b>	<b>22</b>
<b>6</b>	<b>Removal.....</b>	<b>23</b>

---




<b>7</b>	<b>Maintenance .....</b>	<b>24</b>
7.1	Maintenance overview.....	24
7.2	Changing the electrolyte and membrane cap .....	24
<b>8</b>	<b>Troubleshooting .....</b>	<b>26</b>
8.1	Fault overview .....	27
8.2	Special checks .....	33
<b>9</b>	<b>Technical data.....</b>	<b>37</b>
<b>10</b>	<b>Deinstallation and storage.....</b>	<b>37</b>
<b>11</b>	<b>Disposal .....</b>	<b>37</b>
<b>12</b>	<b>Warranty .....</b>	<b>38</b>
<b>13</b>	<b>Liability disclaimer .....</b>	<b>38</b>
<b>14</b>	<b>Appendix .....</b>	<b>39</b>

# 1 Information about these operating instructions

## 1.1 Symbols and displays







### 1.1.1 Safety and warning instructions

The hazard symbols and signal words listed below are used in these operating instructions. They help you use the product safely, protect the operating personnel against injuries and protect the operating company against damage to property and additional costs.

	<b>Signal word</b>	<b>Meaning</b>
	<b>DANGER!</b>	DANGER means a hazard with a high degree of risk which if not avoided will lead to death or serious injury.
	<b>WARNING!</b>	WARNING means a hazard with a medium degree of risk which if not avoided may lead to death or serious injury.
	<b>CAUTION!</b>	CAUTION means a hazard with a low degree of risk which if not avoided may lead to minor or moderate injury.
	<b>NOTE</b>	NOTE warns against damage to property.

Tab. 1: *Signal words*

### 1.1.2 Labels in the text

Symbol	Meaning
	This symbol is the general warning symbol and warns you about risks of injury. Take all the actions that are indicated by this warning symbol.
	This symbol indicates tips and helpful information for optimum and economic use of the product.
	This symbol indicates actions to be performed by the personnel.
	This symbol indicates the result of an action.
	This symbol indicates individual bullet points.
	This symbol indicates a precondition before performing an action.

Tab. 2: *Displays in the text*

## 1.2 Associated documents

Data sheets on the individual types of sensors can be found at the following Internet address:

<https://reiss-gmbh.com/data-sheets/?lang=en>

## 2 Information on this product

### 2.1 Product description

The TARAtec 7 product range consists of sensors with covering membranes. They are 2-electrode systems for measuring the concentration in water of the disinfectant hydrogen peroxide. They are characterised by a mechanically robust membrane system. The area of application of these sensors extends to almost all water qualities. The sensors are not suitable for checking the absence of hydrogen peroxide.

A complete measuring and/or control system normally consists of the following components:

- Sensor
- Electrical leads and connectors
- Flow chambers and connections
- Measuring and control device
- Dosing equipment
- Analytical equipment



These operating instructions relate exclusively to the sensor.

- ▷ Comply with the operating instructions for the peripheral devices.

#### 2.1.1 Hydrogen peroxide WP7

The sensor measures the concentration of hydrogen peroxide in the water being measured resulting from the application of hydrogen peroxide.

## 2.2 Scope of supply

- ▶ Keep the all the packaging for the sensor.
- ▶ In the event of repair or warranty please return the sensor in the original packaging.
- ▶ Check that the delivery is complete and undamaged.

If it is damaged:

- ▶ Please contact your supplier.

Component	Quantity	Sensor with voltage output signal (0...+/-2000 mV)	Sensor with 4 - 20 mA current loop output signal		Sensor with Modbus signal transmission
			(2-pin screw terminal connection)	(5-pin M12 connection)	
Sensor (depending on the type)	1	✓	✓	✓	✓
Membrane cap in a container (depending on the type)	1	✓	✓	✓	✓
Electrolyte (depending on the type)	1 bottle	✓	✓	✓	✓
mA hood with O-ring 20 x 1.5	1	–	✓	–	–
Special emery paper (depending on the type)	1	✓	✓	✓	✓
Operating instructions	1	✓	✓	✓	✓

Tab. 3: *Scope of supply*

## 2.3 Product overview

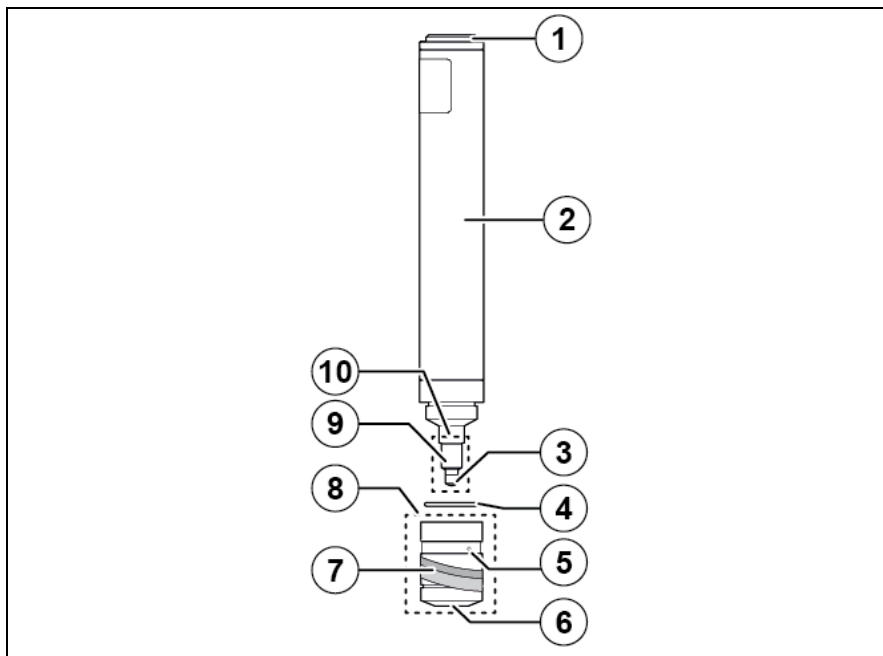


Fig. 1: Product overview

- 1 Electrical connection
- 2 Sensor body
- 3 Working electrode
- 4 O-ring 14 x 1.8
- 5 Valve opening
- 6 Membrane disc
- 7 Hose rings (x2)
- 8 Membrane cap
- 9 Reference electrode
- 10 Electrode finger



## 2.4 Name plate

A name plate is glued to each sensor, this shows the following information:

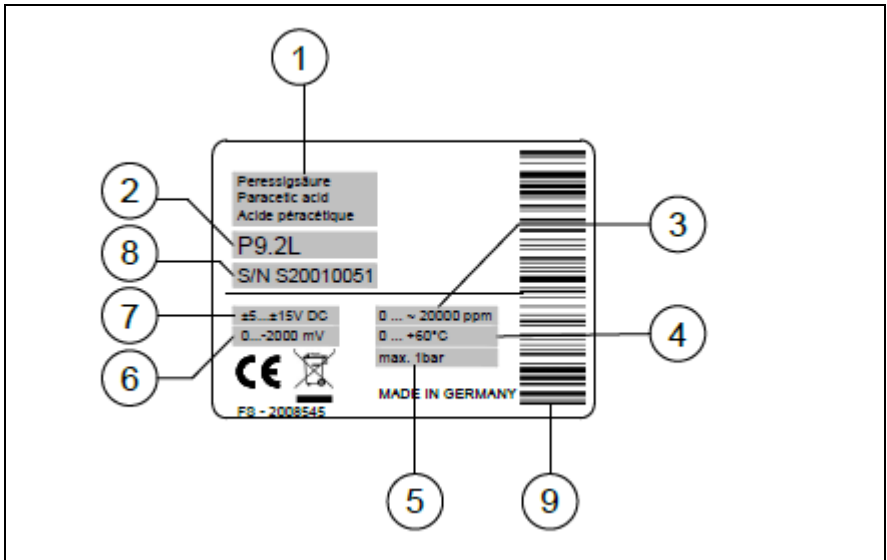


Fig. 2: Example of a name plate

- 1 Measured variables
- 2 Sensor designation, sensor name
- 3 Nominal measuring range of the sensor
- 4 Permissible temperature range of the measuring water
- 5 Maximum permissible pressure of the water being measured
- 6 Signal transmission
- 7 Power supply
- 8 Serial number
- 9 Serial number as barcode

## 3 Safety

The sensor is manufactured using the latest technology.

Nevertheless, improper use can give rise to the following risks:

- Effects on health
- Falsification of measuring values, which can lead to dangerous dosing of incorrect quantities of the disinfectant.
- ▶ Comply with the safety instructions in these operating instructions.

### 3.1 Use for the intended purpose

The sensor is intended to be used for measuring the concentration of a specific disinfectant in water.

The sensor may be used only under the following conditions:

- For the disinfectant specified in the respective data sheet
- Under the conditions of use specified on the respective data sheet
- Upright installation in a suitable flow chamber (electrical connection top).
- Restricted to the activities described in these operating instructions.
- Use only when in fault-free condition
- Use of original accessories and spare parts (<https://reiss-gmbh.com/data-sheets/?lang=en>)

### 3.2 Use other than for the intended purpose

The sensor may not be used for measurements to demonstrate the absence of the disinfectant.

The sensor must not be used for applications beyond the intended purpose (see section 3.1, p. 10).

---

### 3.3 Personal qualifications

The user must hold the following personal qualifications:

- He must have read and understood the operating instructions.
- He must have received training in the handling of the sensor.

### 3.4 Rebuilding and modifications

Opening the sensor and making modifications to it which can affect the safety and functionality of the sensor may be performed only by the manufacturer.

### 3.5 Residual risks

#### 3.5.1 Slippage of the sensor

If the sensor is inadequately secured, it may become loose due to the pressure of the water or due to vibration. This results in the following risks:

- Due to the pressure of the water the sensor may slip out of the flow chamber.
- The sensor may slip down into the flow chamber due to its own weight.
  - ▶ Depending on recommendation in the data sheet, use a variant with a retaining ring (see section 1.2, p. 5).
  - ▶ Make sure that the fixation of the sensor in the flow chamber cannot be loosened during operation.
  - ▶ Check the sensor regularly for secure attachment.

#### 3.5.2 Water pressure that is high or fluctuating

The membrane may be damaged if the water pressure exceeds the maximum permissible value, or if the water pressure fluctuates greatly.

- ▶ Comply with the permissible pressure stated on the data sheet (see section 1.2, p. 5).
- ▶ Keep the pressure constant.

### 3.5.3 Impacts, shocks and improper touching

Impacts or shaking of the sensor, such as by dropping it, can damage it.

- ▶ Avoid impacts and shocks.
- ▶ Do not allow the sensor to be dropped.



Do not touch the sensor electrodes at any time.

Touching the reference electrode, or using emery paper on it, can damage it.

- ▶ Do not touch the reference electrode.
- ▶ Should it be necessary for maintenance work, emery only the working electrode, **not** the reference electrode.

### 3.5.4 Defective membrane cap

If when the membrane cap is being screwed on or unscrewed the valve is inadvertently obstructed, this can cause overpressure or underpressure in the membrane cap. This can damage the membrane.

- ▶ When screwing on the membrane cap make sure that the valve is not closed off (see Fig. 5, p. 16).
- ▶ Before unscrewing the membrane cap, push the hose rings aside and keep the valve open.

### 3.5.5 Electrical interference

A lack of galvanic isolation can falsify the measuring value and even damage the sensor beyond repair.

- ▶ Ensure the electrical connection has galvanic isolation.

Electrical interference on the signal lead can damage the electronics.

- ▶ Ensure the connection is made correctly (see section 4.4, p. 19).

---

### 3.5.6 Lack of disinfectant

If for a prolonged period there is no disinfectant in the water, a film of biological matter can accumulate on the membrane. This makes the measuring value incorrect, and means the membrane cap can no longer be used.

- ▶ Make sure that the period during which there is no disinfectant present is not longer than specified on the data sheet (see section 1.2, p. 5).

### 3.5.7 Loss of measuring values when the sensor is removed

After the sensor has been removed there is no longer a measuring value, which can lead to incorrect dosing of the disinfectant.

- ▶ Switch off the measurement and control system or switch it over to manual operation.

### 3.5.8 Oxidants, reducers and corrosion inhibitors

Oxidants, reducers and corrosion inhibitors in the water interfere with measurement and can lead to measuring errors.

- ▶ Make sure there are no oxidants, reducers or corrosion inhibitors in the water.
- ▶ Comply with the instructions on the data sheet (see section 1.2, p. 5).

### 3.5.9 Temperature and fluctuations in temperature

If the ambient temperature or the temperature of the medium lies outside the permissible range, the sensor and the electrolyte may be damaged.

- ▶ Make sure that at all stages of the operation the permissible temperature ranges as per the data sheet are adhered to (see section 1.2, p. 5).

The measuring value may be incorrect if the temperature in the medium fluctuates abruptly.

- ▶ Make sure that the temperature in the water changes only slowly.

### **3.5.10 Impermissible installation position**

If the sensor is not installed upright the measuring value can be falsified.

- ▶ Install the sensor upright (electrical connection top).

### **3.5.11 Fluctuation of the light intensity (only WP7)**

Major fluctuations in the ambient light intensity may render the measured value incorrect.

If a major fluctuation in the ambient light intensity can be expected:

- ▶ Screen the flow chamber

### **3.5.12 Incorrect chemical analytical methods**

Incorrect determination of the concentration of the disinfectant will lead to incorrect calibration of the sensor.

- ▶ Observe the recommended analysis methods as per the data sheet (see section 1.2, p. 5).
- ▶ Perform analytical work in accordance with the specifications in the manufacturer's operating instructions for the analytical equipment.

## 4 Commissioning

### 4.1 Installation requirements

The following installation requirements must be satisfied:

- Continuous power supply and presence of water being measured
- Flow rate as specified on the data sheet
- Constant through flow rate
- There must be disinfectants present in the water being measured.
- Galvanic separation of the electrical connection (if not present in the sensor, see data sheet, section 1.2, p. 5)
- Make sure that the measuring water does not evolve gas at the measurement point.

### 4.2 Preparation of the sensors

- ▶ Pull the protective sleeve from the electrode finger.



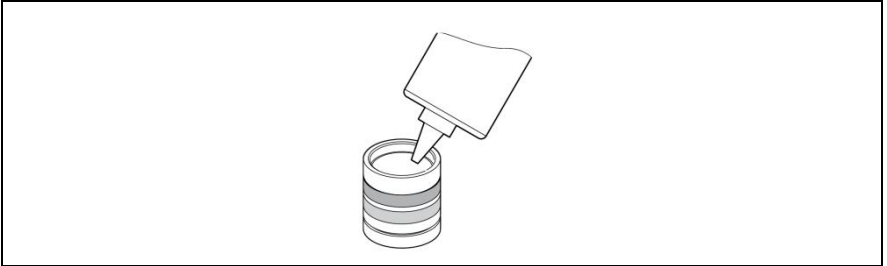
The container is filled with an electrolyte.

- ▶ Open the container and take out the membrane cap.
- ▶ Empty the electrolyte out of the membrane cap.
- ▶ Make sure that the 2 hose rings are in the correct position (see Fig. 3, p. 15).



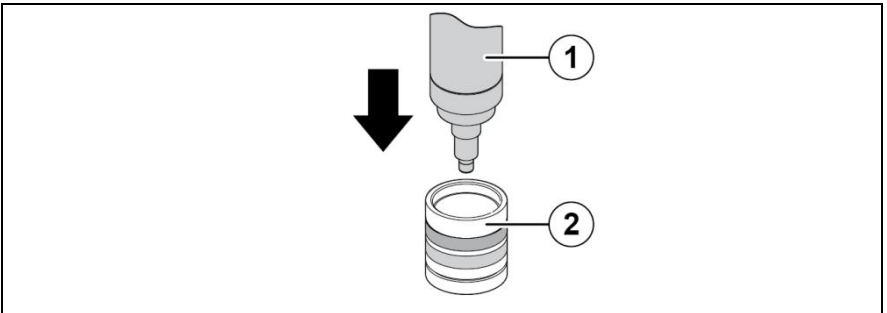
*Fig. 3: Position of the hose rings*

- ▶ Put down the membrane cap on a clean surface.
- ▶ Fill the membrane cap with electrolyte to the brim.



*Fig. 4: Filling the membrane cap*

- ▶ Place the sensor body [1] upright on the membrane cap [2].
- ▶ Rotate the sensor body anticlockwise until the thread is felt to engage.



*Fig. 5: Placing the sensor body on the sensor cap*

- 1 Sensor body
- 2 Membrane cap



- ▶ Slowly screw the sensor body into the membrane cap.
- ▶ Make sure that the valve opening is not closed off (e.g. by the fingers).



The first resistance to screwing the parts together comes from the sealing O-ring.

- ▶ Screw the cap on further until it has closed up against the shaft.
- ▶ Slide the second hose ring into the recess above the first hose ring.
- ✓ Once the membrane cap has been fully screwed on:
  - ▶ Neither touch nor strike the membrane.
  - ▶ Use mains water to rinse off any electrolyte residues adhering to the sensor.
- ↳ The sensor is now prepared for commissioning.

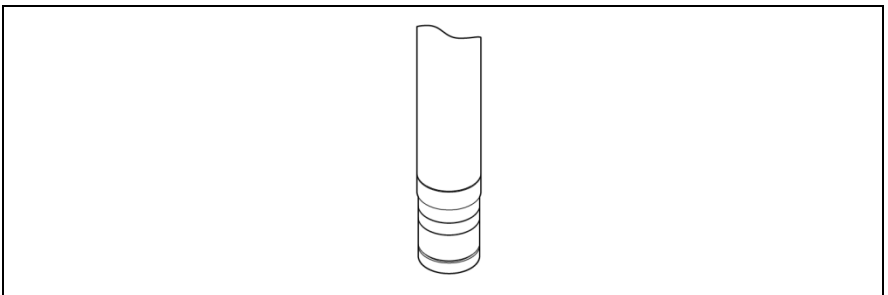
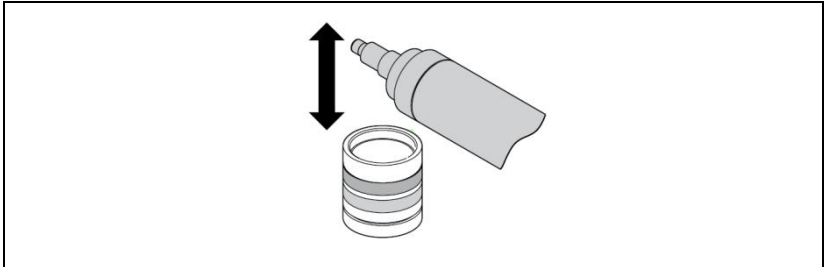


Fig. 6: Prepared sensor

**i** If there are air inclusions in the membrane area, a “tapping procedure” must be performed.

- ▷ Tap with the sensor body on the filled membrane cap until no further air bubbles can be seen.
- ↪ This displaces any film of air lying on the inside face of the membrane.



*Fig. 7: “Tapping procedure”*

- ▷ If necessary, top up the electrolyte.

### **4.3 Insertion into the flow chamber**

- ✓ The sensor must have been prepared for installation (see section 4.2, p. 15).
- ▶ Insert the sensor into a flow chamber of the type TARAflow FLC or any other suitable flow chamber.

In order to insert the sensor correctly into the flow chamber:

- ▶ Comply with the instructions in the operating instructions for the flow chamber that is used.

## 4.4 Electrical connection

✓ The sensor is inserted into the flow chamber (see section 4.3, p. 18). The following types of electrical connections to the sensor are available:

### 4.4.1 Connection with 0...+/-2000-mV signal output

The sensor is provided with a 5-pin M12 screwed plug protected against polarity reversal. The connection pins are assigned as follows:

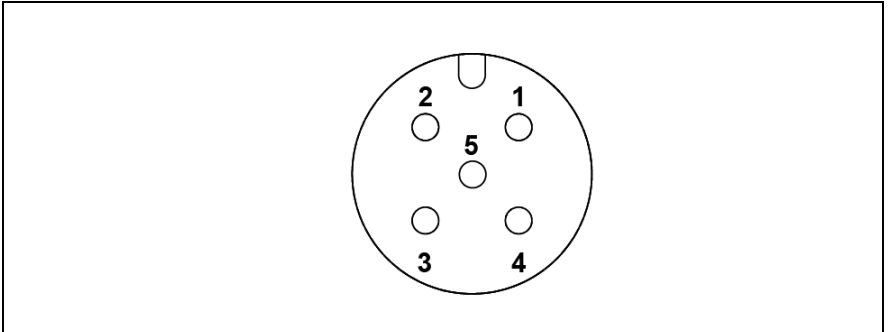


Fig. 8: Pin assignment (5-pin)

	Analog signal processing		Digital signal processing
	0...-2000 mV	0...+2000 mV	0...+/-2000 mV
1	Measuring signal	Measuring signal	Measuring signal
2	+U	+U	+U
3	-U	Power GND	Power GND
4	Signal GND	Signal GND	Signal GND
5	(not assigned)	(not assigned)	(not assigned)

#### 4.4.2 Connection with 4...20 mA signal output

##### M12 screwed plug

The sensor is provided with a 5-pin M12 screwed plug protected against polarity reversal.

The connection pins are assigned as follows:

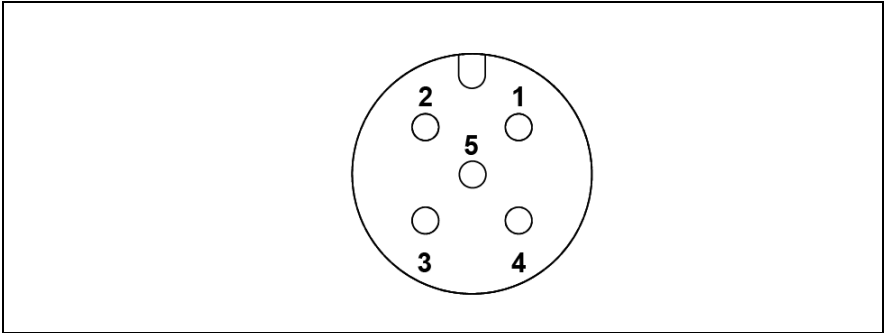


Fig. 9: Pin assignment (5-pin)

- 1 (not assigned)
- 2 +U
- 3 -U
- 4 (not assigned)
- 5 (not assigned)

##### Connection using a 2-pin screwed terminal block

The sensor is provided with a 2-pin screwed terminal block.

- ▶ Insert the sensor cable through the cable gland in the hood.
- ▶ Connect the cores to the terminals in the sensor electronics.
- ▶ Screw the hood finger-tight into the sensor body until the O-ring seal is made.
- ▶ Tighten the cable gland so as to secure the cable.

### 4.4.3 Connection with Modbus signal transmission

The sensor is provided with a 5-pin M12 screwed plug protected against polarity reversal. There are no termination resistors within the sensor. The connection pins are assigned as follows:

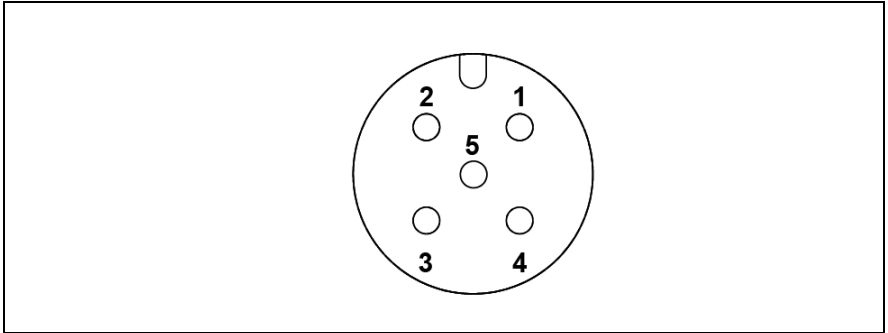


Fig. 10: Pin assignment (5-pin)

- 1 (reserved)
- 2 +9...+30 V
- 3 Power GND
- 4 RS485 B
- 5 RS485 A

### 4.5 Initial calibration

- ✓ The sensor must be connected electrically (see section 4.4, p. 19).
- ✓ The run-in time must have been complied with as per the data sheet (see section 1.2, p. 5).
  - ▶ Perform calibration (see section 5, p. 22).
  - ▶ After one day, repeat the calibration.

## 5 Calibration

The sensor outputs a signal proportional to the concentration of the disinfectant in the water being measured. In order to assign the value of the sensor signal to the concentration of the disinfectant in the water being measured, the sensor must be calibrated.


- ✓ The flow rate must be constant.
- ✓ The temperature of the water being measured must be constant.
- ✓ Acclimatisation of the temperature of the sensor to that of the water being measured must be complete (this takes about 20 minutes after a change in temperature).
- ✓ The sensor must have completed running in.
- ✓ No other oxidant may be present in the water being measured.
- ▶ Take the analytical sample of the water being measured from near to the sensor.
- ▶ Using appropriate methods, determine the concentration of the disinfectant in the measuring water (see the manufacturer's operating instructions for the analytical equipment).
- ▶ In the calibration menu of the measuring and control device, mark up the sensor signal against the value determined by the analytical procedure (see the operating instructions for the device).
- ▶ Repeat the calibration at regular intervals (see section 7.1, p. 24).
- ▶ Comply with the applicable national regulations for calibration intervals.

Measured variables	Recommended analytical methods
Hydrogen peroxide	Single-stage sulphuric acid titration with potassium permanganate (for instructions see the appendix)

Tab. 4: Recommended analytical methods

---

## 6 Removal

 Removal of the sensor can lead to an incorrect measuring value at the input to the measuring and control device, which can cause the control circuit to apply uncontrolled dosing.

Before removing the sensor:

- ▶ Switch off the measurement and control system or switch it over to manual operation.
- ▶ Close the inlet of the water being measured.
- ▶ Close the outlet of the water being measured.
- ▶ Remove the electrical connection.

To disconnect a sensor with a 2-pin screwed terminal block:

- ▶ Undo the cable gland.
- ↳ The cable is now free to move.
- ▶ Unscrew the hood with the cable gland from the sensor.
- ▶ Release the cable cores from the terminals.
  
- ▶ Undo the screw fastening and carefully pull the sensor out.

## 7 Maintenance

### 7.1 Maintenance overview

To ensure optimum performance of the sensor:

- ▶ Perform the following actions at regular intervals.

Maintenance task	Interval
▶ Change the electrolyte	3-6 months
▶ Change the membrane cap	Annually
▶ Perform calibration	<ul style="list-style-type: none"> <li>• Weekly</li> <li>• After the electrolyte and/or the membrane cap has been changed</li> </ul>

Tab. 5: Maintenance overview

### 7.2 Changing the electrolyte and membrane cap

- ▶ Lift the hose rings [1] sideways off the membrane cap and slide them down.
- The valve opening [2] is now exposed.
- ▶ Unscrew the membrane cap.
- Air can now flow through the valve opening.

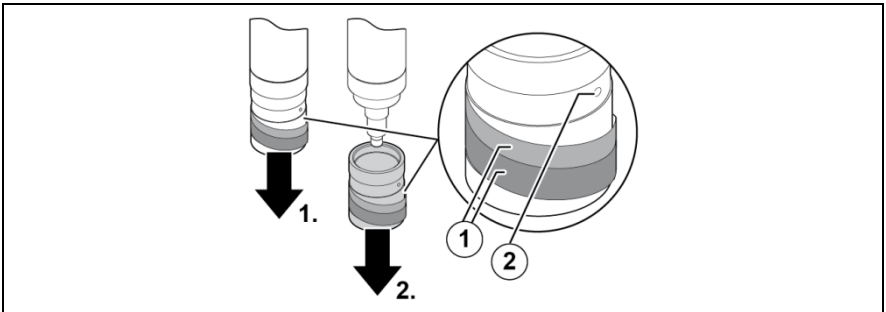
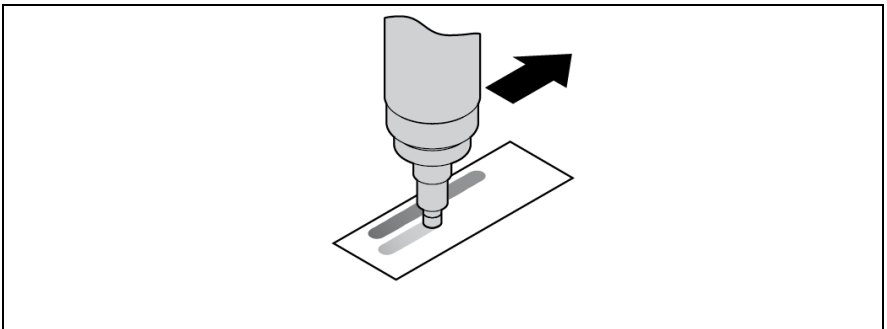


Fig. 11: Lifting off the hose rings

- 1 Hose rings
- 2 Valve opening



- ▶ Empty the electrolyte out of the membrane cap.
- ▶ Rinse the membrane cap with mains water.
- ▶ Rinse the electrode finger with mains water.
- ▶ Lay a piece of special emery paper on a clean, smooth surface.
- ▶ Hold the sensor upright.
- ▶ Hold the special emery paper in place and move the tip of the working electrode over it at least twice. Use a fresh area of the emery paper for each pass.



*Fig. 12: Emerying the working electrode*

- ▶ Return one hose ring to its original position.
- ↪ The valve opening is now covered.



When changing the membrane cap:

- ▶ Use a new membrane cap.
- ▶ Perform the same operations as for commissioning (see section 4.2, p. 15).
- ↪ Maintenance has now been completed and the sensor can be put back into use.

## 8 Troubleshooting

Various factors in the environment can affect the sensor. If irregularities occur, it may be useful to check these factors:

- Flow rate
- Measuring cable
- Measuring and control device
- Calibration
- Dosing equipment
- Concentration of the disinfectant in the dosing container
- Suitability of the sensor for measuring the disinfectant that is being dosed
- Concentration of the disinfectant in the water being measured (determined by analytical methods)
- pH value of the water being measured
- Temperature of the water being measured
- Pressure in the flow chamber
- Analytical methods

## 8.1 Fault overview

Fault	Cause	Corrective action
Sensor cannot be calibrated / deviation of the measuring value from the analytical measurement	Run-in time too short.	<ul style="list-style-type: none"> <li>▶ Wait for run-in period (see section 4.5, p. 21).</li> <li>▶ Repeat the calibration after a few hours.</li> </ul>
	Membrane torn.	<ul style="list-style-type: none"> <li>▶ Change the membrane cap (see section 7.2, p. 24).</li> </ul>
	Membrane cap damaged.	<ul style="list-style-type: none"> <li>▶ Change the membrane cap (see section 7.2, p. 24).</li> </ul>
	Disruptive substances in the water contents	<ul style="list-style-type: none"> <li>▶ Check the water for disruptive substances</li> <li>▶ Provide remedy.</li> <li>▶ Consult the supplier.</li> </ul>
	Short circuit / defect in the measuring lead	<ul style="list-style-type: none"> <li>▶ Locate and eliminate the short circuit / defect.</li> <li>▶ Exchange the measuring lead.</li> </ul>
	Distance between working electrode and membrane is too great.	<ul style="list-style-type: none"> <li>▶ Screw the membrane cap on fully to the stop.</li> </ul>
	The DPD/titration chemicals are outdated.	<ul style="list-style-type: none"> <li>▶ Use new DPD/titration chemicals.</li> <li>▶ Repeat the calibration (see section 5, p. 22).</li> </ul>

Fault	Cause	Corrective action
	Titration method unsuitable <sup>1</sup>	▶ Repeat the titration using a suitable method (see appendix p. 39).
	Deposits on the membrane	▶ Change the membrane cap (see section 7.2, p. 24).
	Gas bubbles on the inside face of the membrane	▶ Tap with the sensor body on the filled membrane cap filled with electrolyte until no further gas bubbles can be seen.(see chapter 4.2, p. 15, "Tapping procedure")
	Gas bubbles on the outside face of the membrane	▶ Temporarily increase the flow rate. ▶ Check the installation and modify it.
	No electrolyte in the membrane cap	▶ Fill the membrane cap with electrolyte. ▶ Prepare the sensor (see section 4.2, p. 15).
	The concentration of disinfectant exceeds the upper limit of the measuring range.	▶ Check the system. ▶ Remedy the faults. ▶ Repeat the calibration (see section 5, p. 22).

<sup>1</sup> Only for peracetic acid/hydrogen peroxide

Fault	Cause	Corrective action
	Lack of galvanic isolation	<ul style="list-style-type: none"> <li>▶ Create galvanic isolation.</li> <li>▶ Return the sensor to the supplier for checking / reconditioning.</li> </ul>
	The sensor is defective.	<ul style="list-style-type: none"> <li>▶ Return the sensor to the supplier for checking / reconditioning.</li> </ul>
Unstable measuring value	Membrane torn.	<ul style="list-style-type: none"> <li>▶ Change the membrane cap (see section 7.2, p. 24).</li> </ul>
	Gas bubbles on the inside face of the membrane	<ul style="list-style-type: none"> <li>▶ Tap with the sensor body on the filled membrane cap filled with electrolyte until no further gas bubbles can be seen.(see chapter 4.2, p. 15, "Tapping procedure")</li> </ul>
	Gas bubbles on the outside face of the membrane	<ul style="list-style-type: none"> <li>▶ Temporarily increase the flow rate.</li> <li>▶ Check the installation and modify it.</li> </ul>
	Pressure fluctuations in the measuring water	<ul style="list-style-type: none"> <li>▶ Check the type of installation and modify it.</li> </ul>

Fault	Cause	Corrective action
	Lack of galvanic isolation	<ul style="list-style-type: none"> <li>▶ Create galvanic isolation.</li> <li>▶ Return the sensor to the supplier for checking / reconditioning.</li> </ul>
	The reference electrode is exhausted and/or contaminated. <sup>2</sup>	<ul style="list-style-type: none"> <li>▶ Return the sensor to the supplier for checking / reconditioning.</li> </ul>
Overdriving <sup>3</sup>	Excessive concentration of disinfectant in the measuring water	<ul style="list-style-type: none"> <li>▶ Check the system.</li> <li>▶ Remedy the faults.</li> <li>▶ Calibrate the sensor (see section 5, p. 22).</li> <li>▶ Perform maintenance on the sensor (see section 7, p. 24).</li> </ul>
	Run-in time too short.	<ul style="list-style-type: none"> <li>▶ Wait until the run-in time has elapsed (see section 4.5, p. 21).</li> </ul>
	The membrane is damaged.	<ul style="list-style-type: none"> <li>▶ Change the membrane cap (see section 7.2, p. 24).</li> </ul>
	Flow rate too high	<ul style="list-style-type: none"> <li>▶ Check the system.</li> <li>▶ Reduce the flow rate.</li> </ul>

<sup>2</sup> The reference electrode has a silvery sheen or is white. The usual colour on the other hand is brown/grey.

<sup>3</sup> see Tab. 7, p. 33.

Fault	Cause	Corrective action
	Lack of galvanic isolation	<ul style="list-style-type: none"> <li>▶ Create galvanic isolation.</li> <li>▶ Return the sensor to the supplier for checking / reconditioning.</li> </ul>
	The sensor is defective.	<ul style="list-style-type: none"> <li>▶ Return the sensor to the supplier for checking / reconditioning.</li> </ul>
Underdriving <sup>4</sup>	Run-in time too short.	<ul style="list-style-type: none"> <li>▶ Wait until the run-in time has elapsed (see section 4.5, p. 21).</li> </ul>
	The working electrode is contaminated.	<ul style="list-style-type: none"> <li>▶ Perform maintenance on the sensor (see section 7, p. 24).</li> </ul>
	Lack of galvanic isolation	<ul style="list-style-type: none"> <li>▶ Create galvanic isolation.</li> <li>▶ Return the sensor to the supplier for checking / reconditioning.</li> </ul>
	The sensor is defective.	<ul style="list-style-type: none"> <li>▶ Return the sensor to the supplier for checking / reconditioning.</li> </ul>
Green LED failing to flash <sup>5</sup>	Defective Power supply	<ul style="list-style-type: none"> <li>▶ Provide the correct power supply.</li> </ul>

<sup>4</sup> see Tab. 7, p. 33.

<sup>5</sup> Only for sensors with digital electronics

Fault	Cause	Corrective action
	The sensor is defective.	▶ Return the sensor to the supplier for checking / reconditioning.
No signal	The sensor is connected to the measuring and control device with the wrong polarity. <sup>6</sup>	▶ Connect the sensor correctly to the measuring and control device.
	The measuring lead is broken.	▶ Exchange the measuring lead.
	The sensor is not receiving any power supply.	▶ Provide the correct power supply.
	The sensor is defective.	▶ Return the sensor to the supplier for checking / reconditioning.

Tab. 6: *Faults overview*

---

<sup>6</sup> Only for sensors with 4...20-mA signal output



Electronics	Signal transmission	Underdriving	Overdriving
Analogue	4 ... 20 mA	<4 mA	>20 mA
	0 ... +2000 mV	<0 mV	>+2000 mV
	0 ... -2000 mV	>0 mV	<-2000 mV
Digital	Modbus RTU	<0 ppm/ % <0 nA	Measured value > Measurement range
	0 ... +2000 mV	<0 mV	• >+2000 mV
	0 ... -2000 mV	>0 mV	• <-2000 mV

Tab. 7: Output signal of the sensor when overdriven/underdriven

## 8.2 Special checks

### 8.2.1 Tightness of the membrane cap

- ▶ Unscrew the membrane cap from the sensor (see section 7, p. 24).
- ▶ Dry the outside of the membrane cap.
- ▶ Prepare the membrane cap (see section 4.2, p. 15).
- ▶ When screwing the membrane cap on, watch out for liquid escaping through the membrane.

If liquid does escape through the membrane:

- ▶ Use a new membrane cap.

If the sensor does not respond:

- ▶ Return the sensor to the supplier for checking.

### 8.2.2 Electronics

- ▶ Unscrew the membrane cap.
- ▶ Rinse the electrode finger with mains water.
- ▶ Using a clean cloth, carefully dry the electrode finger.
- ▶ Connect the sensor to the measuring and control device.
- ▶ Connect a suitable measuring device to the original sensor signal.
- ▶ Wait five minutes.
- ▶ Read the original sensor signal at the measuring device.
- ▶ Mark up the values that were read against the following target values:
  - Sensor (mV): approx. +/- 0 mV
  - Sensor (mA): approx. 4 mA
  - Sensor (Modbus): approx. 0 ppm or 0%

If the sensor signal approximately corresponds to the aforementioned value, the electronics can be provisionally regarded as OK.

If the measured value deviates significantly from the above value:

- ▶ Return the sensor to the supplier for checking.

---

### 8.2.3 Checking the zero point

- ✓ The electronics must have been tested and found to be OK.
- ▶ Prepare the sensor (see section 4.2, p. 15).
- ▶ Connect the sensor to the measuring and control device.
- ▶ Fill a glass beaker with mains water (without any disinfectant!).
- ▶ Stir the sensor round in the glass beaker for 30 seconds.
- ▶ Carefully put the sensor down obliquely in the glass beaker.
- ▶ Wait 30 minutes.
- ▶ Read the measuring value.

If the measuring value is close to the value 0, the zero point can provisionally be regarded as OK.

If the measuring value deviates significantly from zero:

- ▶ Perform maintenance on the sensor (see section 7, p. 24) and repeat the zero point test.



A freshly cleaned working electrode has a relatively high zero point. The sensor takes a few days to settle back to its lowest zero point.

If after maintenance has been performed on the sensor measuring value is not close to zero:

- ▶ Return the sensor to the supplier for checking.
- ↪ This completes the zero point checking.

### 8.2.4 Signal

- ✓ The zero point checking must have been performed successfully.
- ▶ Add the relevant disinfectant to the mains water in the glass beaker (see section 8.2.3, p. 35).
- ▶ Stir the sensor steadily round in the glass beaker for five minutes.
- ▶ Monitor the measuring value throughout this time.

If the measuring value increases, the sensor can provisionally be regarded as OK.

If the measuring value does not change:

- ▶ Perform maintenance on the sensor (see section 7, p. 24) and repeat the signal test.
- ↪ This completes the signal test. The sensor can be put back into use.

If after maintenance the sensor shows no response to the disinfectant:

- ▶ Return the sensor to the supplier for checking.

## 9 Technical data

Information on the technical data can be found at the following Internet address:

<https://reiss-gmbh.com/data-sheets/?lang=en>

## 10 Deinstallation and storage

To deinstall a sensor and prepare it for storage, proceed as follows:

- ▶ Unscrew the membrane cap.
- ▶ Use mains water to rinse the electrolyte out of the membrane cap.
- ▶ Rinse the electrode finger with mains water.
- ▶ Dry the membrane cap and sensor body in a dust-free place.
- ▶ For protection, loosely screw the dry membrane cap on to the sensor body.
- ▶ Make sure that the membrane is not lying in contact with the working electrode.



If the membrane cap has been in use for one day or longer we recommend that it is not used when the sensor is recommissioned.

- ▷ Perform a change of membrane cap (see section 7.2, p. 24).

## 11 Disposal

- ▶ Comply with the local regulations on disposal.

## 12 Warranty

We grant a manufacturer's warranty of two years on the sensor body and the electronics, subject to correct handling. The warranty does not apply to the membrane cap (wearing part), electrolyte (expendable material) and service work to be performed (cleaning the parts in contact with the electrolyte, renewing the reference electrode and cleaning the electrode tip with fine grade emery paper). If there is mechanical damage or the serial number is illegible, the warranty becomes void.

### **Returning a sensor for checking/factory reconditioning:**

Shipments will be accepted only if they are returned carriage paid. Otherwise it will be returned to the sender.

Each return shipment must be accompanied by a completed declaration of clearance. This can be found at the following Internet address: <https://www.reiss-gmbh.com/forms/?lang=en>. In case of contamination or missing or not completed declaration of clearance, a cleaning fee will be charged.

On checked/reconditioned sensors we grant a warranty of one year from the date of checking/reconditioning. The warranty is on the electrode body and the electronics, subject to correct handling.

If there is mechanical damage or the serial number is illegible, this warranty becomes void.

## 13 Liability disclaimer

The sensor is manufactured with great care and is subjected to a documented function test. Should any malfunctions occur in the sensor despite this, no liability claims may be lodged against the manufacturer for damages resulting from this malfunction.

---

## 14 Appendix

### Recommended titration instructions

Permanganometric titration for determination of hydrogen peroxide ( $\text{H}_2\text{O}_2$ ).

Instructions:

- The titration must be performed quickly.
- After the first addition of potassium permanganate it may take a few seconds before the sample takes up the colour.

## Appendix

	H <sub>2</sub> O <sub>2</sub>	H <sub>2</sub> O <sub>2</sub>	H <sub>2</sub> O <sub>2</sub>
Concentration range in ppm	0...200	>200...2000	>2000...20000 (2%)
Material	<ul style="list-style-type: none"> <li>• Sample of the water being measured 25 ml</li> <li>• Sulphuric acid (25%)</li> <li>• Potassium permanganate (0.01 n)</li> <li>• Potassium iodide 0.3-0.5 g (powder)</li> <li>• Thiosulphate (0.01 n)</li> <li>• Starch solution (1%)</li> </ul>	<ul style="list-style-type: none"> <li>• Sample of the water being measured 25 ml</li> <li>• Sulphuric acid (25%)</li> <li>• Potassium permanganate (0.1 n)</li> <li>• Potassium iodide 0.3-0.5 g (powder)</li> <li>• Thiosulphate (0.1 n)</li> <li>• Starch solution (1%)</li> </ul>	<ul style="list-style-type: none"> <li>• Sample of the water being measured 5 ml</li> <li>• Sulphuric acid (25%)</li> <li>• Potassium permanganate (0.1 n)</li> <li>• Potassium iodide 0.3-0.5 g (powder)</li> <li>• Thiosulphate (0.1 n)</li> <li>• Starch solution (1%)</li> </ul>
Triation H <sub>2</sub> O <sub>2</sub>	<ul style="list-style-type: none"> <li>▶ Add 20 ml sulphuric acid to the sample of the water being measured.</li> <li>▶ Stirring continuously, titrate with potassium permanganate until the sample turns faintly violet.</li> <li>▶ Make a note of the consumption (A) of potassium permanganate in ml.</li> </ul>		
Calculation of the H <sub>2</sub> O <sub>2</sub>	A * 6.8 = Concentration of H <sub>2</sub> O <sub>2</sub> in ppm	A * 68 = Concentration of H <sub>2</sub> O <sub>2</sub> in ppm	A * 340 = Concentration of H <sub>2</sub> O <sub>2</sub> in ppm



---

Reiss GmbH  
Eisleber Str. 5  
D - 69469 Weinheim  
Germany